

- MATERIAL: PCT, COLOR- BROWN.
- UPPER & LOWER CONTACT MATERIAL: PHOSPHOR BRONZE PER CDA C51100. FASTENER MATERIAL: BRASS
- CONTACT FINISH:
ON MATING SURFACES-
0.00076 [.000030] MIN GOLD PLATE OVER
0.00127 [.000050] MIN NICKEL.
ON SOLDER LEADS-
0.00254 [.000100] MIN TIN OVER 0.00127 [.000050] MIN NICKEL
- PART NUMBER AND DATE CODE MARKED ON THIS SURFACE.
- CONTACT AREA LUBRICATED WITH BELLCORE APPROVED LUBRICANT. TECHNICAL REFERENCE GR-1217-CORE. ISSUE 1, NOVEMBER 1995.

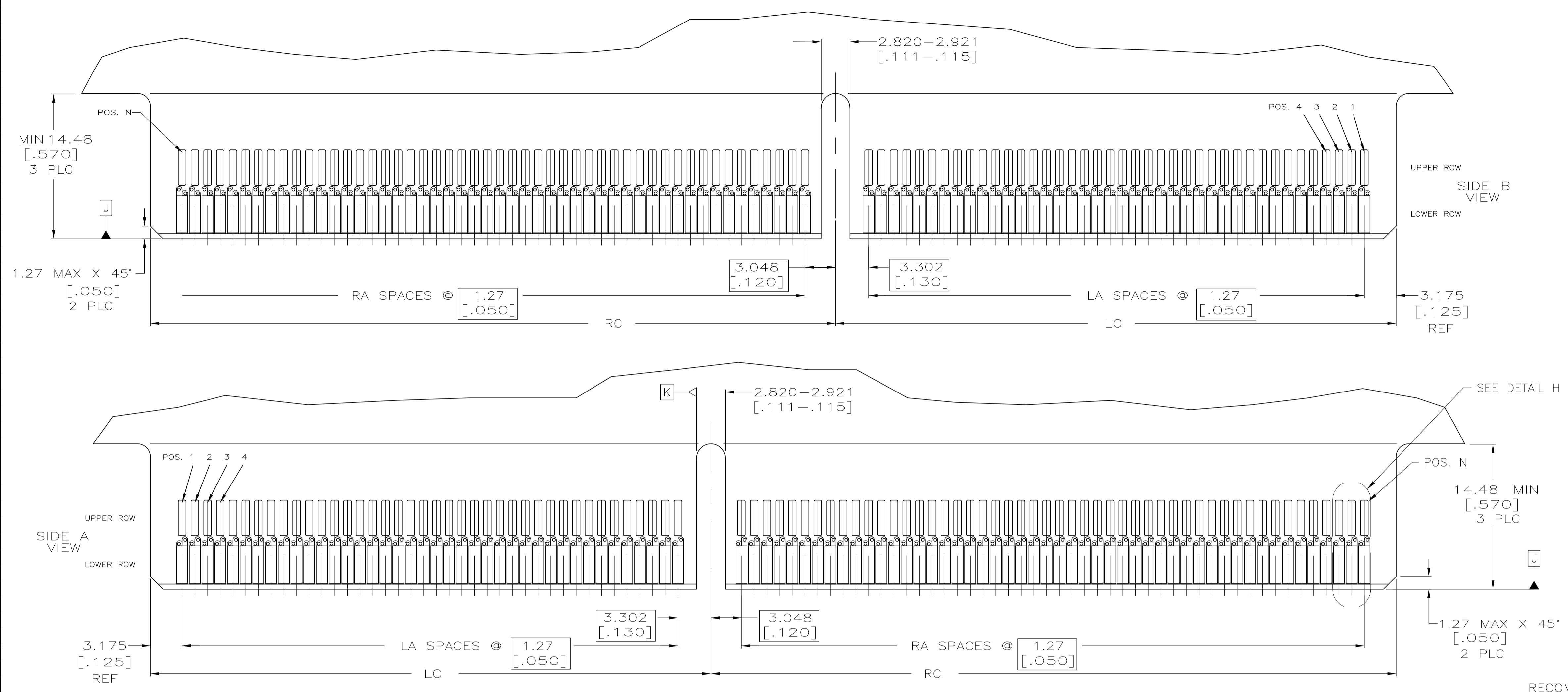
83.69 [3.295]	83.95-84.20 [3.305-3.315]	61	66.17 [2.605]	66.42-66.68 [2.615-2.625]	47	155.35 [6.116]	84.25-84.40 [3.317-3.323]	66.73-66.88 [2.627-2.633]	66.81 [2.630]	4.44-4.95 [.175-.195]	3.56-4.06 [.140-.160]	440	110	2110070-2
48.13 [1.895]	48.39-48.64 [1.905-1.915]	33	38.23 [1.505]	38.48-38.74 [1.515-1.525]	25	91.85 [3.616]	48.69-48.84 [1.917-1.923]	38.79-38.94 [1.527-1.533]	38.86 [1.530]	4.44-4.95 [.175-.195]	3.56-4.06 [.140-.160]	240	60	2110070-1
RC	RB	RA	LC	LB	LA	W	V	U	T	S	L	NO. OF TOTAL POSN	NO. OF QUAD POSN	PART NUMBER

THIS DRAWING IS A CONTROLLED DOCUMENT.

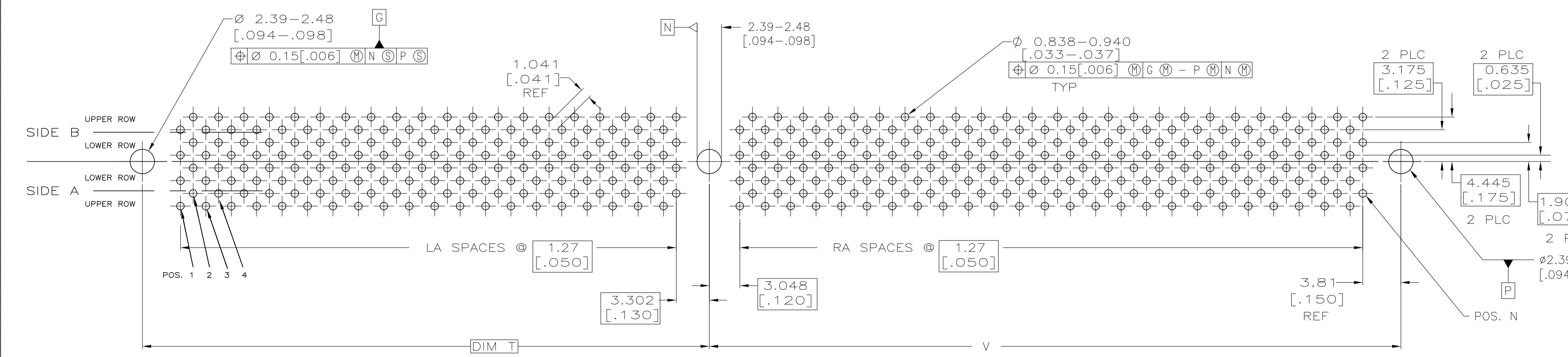
DIMENSIONS: mm	TOLERANCES UNLESS OTHERWISE SPECIFIED:	0 PLC ± -	1 PLC ± .13 [.005]	2 PLC ± .13 [.005]	3 PLC ± .13 [.005]	4 PLC ± .13 [.005]	ANGLES ± 3°
MATERIAL: SEE NOTE 1	FINISH: SEE NOTE 3	WEIGHT: -	SIZE: A1	SCALE: 4:1	SHEET: 1 OF 2	REV: A	RESTRICTED TO:

Customer Drawing

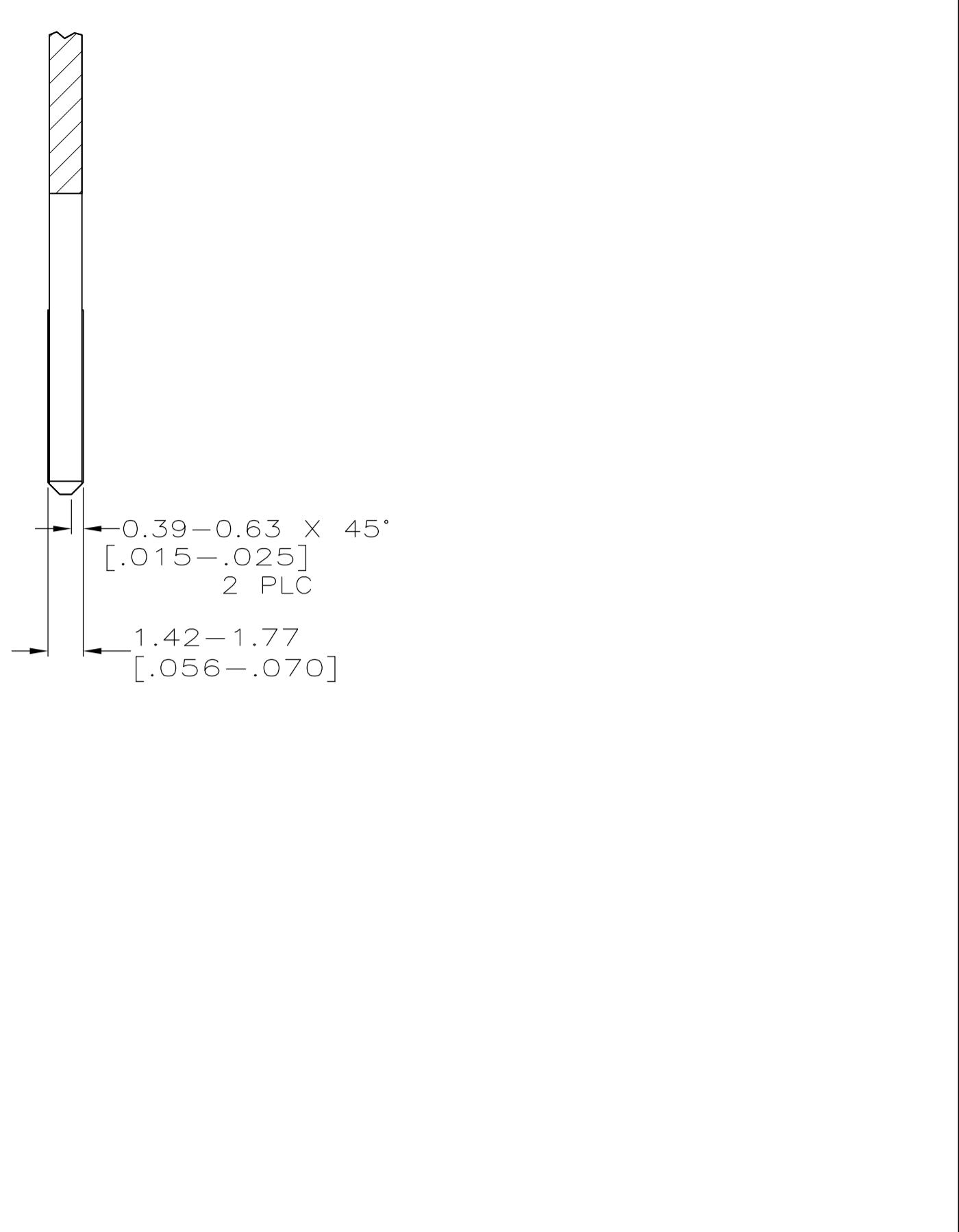
LOC		DIST		REVISIONS				
P	LTR	DATE	DN	APVD	DESCRIPTION	DATE	DN	APVD
-	-	SEE SHEET 1	-	-	-	-	-	-



RECOMMENDED FREE BOARD EDGE CONFIGURATION



RECOMMENDED FIXED BOARD CONFIGURATION
(CONNECTOR SIDE SHOWN)



DETAIL H
SCALE: 10 : 1

THIS DRAWING IS A CONTROLLED DOCUMENT.		DIN G. ATTADIA/LA. MAYER	01-27-05	Tyco Electronics Corporation Harrisburg, Pa 17105-3608
DIMENSIONS: mm		CIK P. RECCE	15JAN2008	
TOLERANCES UNLESS OTHERWISE SPECIFIED:		NAME S. FLICKINGER		CONNECTOR ASSEMBLY, SEC-Z (FOR .062 DAUGHTER BOARD)
0 PLC ± - 1 PLC ± - 2 PLC ± .13 [.005] 3 PLC ± - 4 PLC ± - ANGLES ± °		PRODUCT SPEC 108-186.3 APPLICATION SPEC		
MATERIAL		SIZE A1		RESTRICTED TO
FINISH		WEIGHT		SCALE 4:1
		CUSTOMER DRAWING		SHEET 2 OF 2
		DRAWING NO. 00779		REV A
		C=2110070		